

Secura Zone



Typenbezeichnung

4MP 25x Starlight IR WizSense Network PTZ Camera

Hauptgruppe

Sec-IP-Dome

Artikelnummer

DH-SD49425XB-

Kurzbeschreibung

- 1/2.8" 4Megapixel CMOS
- Powerful 25x optical zoom
- Starlight technology
- Max.25/30fps@4M
- Perimeter protection
- Support PoE+
- IR distance up to 100m
- SMD PLUS
- IP66



Detailbeschreibung

Camera

Image Sensor 1/2.8" STARVIS™ CMOS / Pixel 4MP

Max. Resolution 2560 (H) × 1440 (V)

ROM 4GB / RAM 1GB/ Electronic Shutter Speed 1/1 s–1/30,000 s

Scanning System Progressive

Min. Illumination: Color: 0.005Lux@F1.6 /B/W: 0.0005Lux@F1.6

0Lux@F1.6 (IR light on) / Illumination Distance 100 m (328.08 ft)

Illuminator On/Off Control Zoom Prio/Manual/SmartIR /Illuminator Number 4

Lens

Focal Length 4.8 mm–120 mm / Max. Aperture F1.6–F4.0

Field of View H: 60.0°–2.5°; V: 30.8°–2.2°; D: 66.7°–2.9°

Optical Zoom 25x

Focus Control Auto/Semi-Auto/Manual

Close Focus Distance 0.1 m–1.5 m (0.33 ft–4.92 ft)

Iris Control Auto/Manual

Secura Zone



DORI Distance

Detect Observe Recognize Identify

2540 m / 1016 m / 508 m / 254 m

PTZ

Pan/Tilt Range Pan: 0°–360° (endless) /

Tilt: -15°–90° (auto flip 180°)

Manual Control Speed Pan: 0.1°–200°/s

Tilt: 0.1°–120°/s

Preset Speed Pan: 240°/s

Tilt: 200°/s

Presets 300

Tour 8 (up to 32 presets per tour)

Pelco-P/D (auto recognition)

General Intelligence

Event Trigger

Motion detection, Video tampering, Scene changing,

Network disconnection, IP address conflict, Illegal

Access, Storage anomaly

IVS Object Abandoned/Missing

Artificial Intelligence

Perimeter Protection

Tripwire and intrusion. Support alarm triggering by

target types (human and vehicle). Support filtering

false alarms caused by animals, rustling leaves, bright lights, etc.

SMD PLUS Support

Face Detection Support

Smart Capture Support human, motor vehicle and non-motor vehicle image capture.

Video

Compression H.265+/H.265/H.264+/H.264/MJPEG (sub stream)

Streaming Capability 3 streams

Resolution

4M (2560 x 1440); 3M (2048 x 1536); 1080P (1920 x

1080); 1.3M (1280 x 960); 720P (1280 x 720); D1 (704 x

576/704 x 480); CIF (352 x 288/352 x 240)

Frame Rate

Main stream: 4MP/3MP/1080P/1.3MP/720P (1–25fps)

Sub stream 1: D1/CIF (1–25fps)

Sub stream 2: 1080P/1.3M/720P (1–25fps)

BLC Support

WDR 120 dB

HLC Support

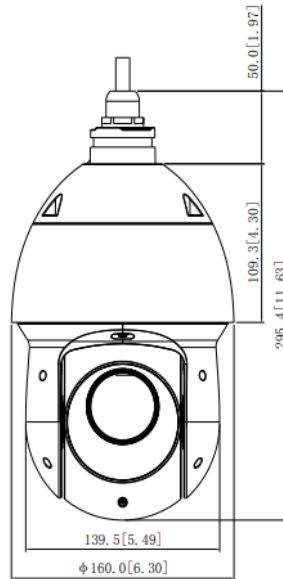
Network

Ethernet RJ-45 (10/100Base-T)

Secura Zone



Zeichnung



www.Secura.Zone ist ein Projekt der Sicherheitssysteme Uebachs GmbH

Secura Zone



Typenbezeichnung

**TURM IP Professional
4 MP PTZ ProAI Kamera mit 4x Zoom, Starlight
und Nachtsicht**

Hauptgruppe

Sec-IP-Dome

Artikelnummer

IP--PT4SAD542

Kurzbeschreibung

- 4 Megapixel Bildauflösung
- 4x optischer Zoom
- ProAI Technik
- 31.6° - 96.9° Blickwinkel
- 2.8 mm - 12mm Brennweite
- 355°- schwenkbar und 5° - 90° neigbar
- Geschwindigkeit: 80°/s
- 15m Nachtsicht
- 0.005 LUX Starlight Lichtempfindlichkeit
- 120dB WDR Gegenlichtfilter
- Micro SD Kartenslot max. 256 GB
- PoE
- Onvif
- H.265
- Smartphone App mit Push



Detailbeschreibung

KAMERA

Bildsensor 1/2.8" 4 Megapixel STARVIS CMOS

Auflösung 2560 (H) × 1440 (V)

Scanning System Progressiv

Electr. Verschlussgeschwindigkeit 1/1s ~1/30,000s

Min. Beleuchtungsstärke Color: 0.005 Lux/F1.8, B/W: 0.0005Lux/F1.8

Signal-Rausch-Verhältnis Mehr als 50dB

KAMERA EIGENSCHAFTEN

Nachtsicht 15m

Tag/Nacht Auto(ICR)/Color/B/W

Gegenlichtkompensation WDR (120dB)

BLC Modus BLC / HLC / WDR (120dB)

Weißabgleich Auto, ATW, Indoor, Outdoor, Manuell

Verstärkungsregelung Auto/Manuell

Rauschunterdrückung 2D/3D

Secura Zone



Bewegungserkennung Unterstützt
Optischer Zoom 4x
Eingebautes Mikrofon nicht vorhanden

OBJEKTIV

Brennweite 2.8mm - 12mm Motorzoom
Max. Blende F1.8
Fokussteuerung Auto/Manuell
Blickwinkel H: 31.6° - 96.9°
Fokussierungs-Entfernung 200mm - 500mm

ProAI

Personenzählung Zählung bei Betreten/Verlassen eines Bereichs, Verweilen innerhalb eines Bereichs, Erstellung von Reports
Perimeterschutz Alarm bei Personen und Fahrzeugen, Linienüberschreitung und Bereichseindringen, Verhindern von Falschalarmen durch Tiere, bewegende Blätter und grelles Licht

PTZ

Schwenk/Neigungsbereich Schwenken: 0° - 355°; Neigen: 5° - 90°
Manuelle Geschwindigkeit Schwenken: 0.1° - 70°/s; Neigen: 0.1° - 30°/s
Preset Speed Schwenken: 80°/s; Neigen: 40°/s
Preset 300
PTZ Modus 8 Touren
Geschwindigkeits Setup Personen orientierte Brennweite / Geschwindigkeitsanpassung
Power up Action Automatische Wiederherstellung zur vorherigen PTZ und Objektiv Einstellung nach Stromausfall
Leerlauf Aktivierung Voreinstellung/Schwenken/Scan/Tour/Pattern wenn es keine festeingestellten Befehle gibt

VIDEO

Kompression H.265
Auflösung 4M (2560 x 1440); 3M (2048 x 1536); 1080P (1920 x 1080); 1.3M (1280 x 960); 720P (1280 x 720);
D1 (704 x 576/704 x 480); **CIF** (352 x 288/352 x 240)
Bit Rate H.264 / H.265: 3 kbps – 20480 kbps

NETZWERK

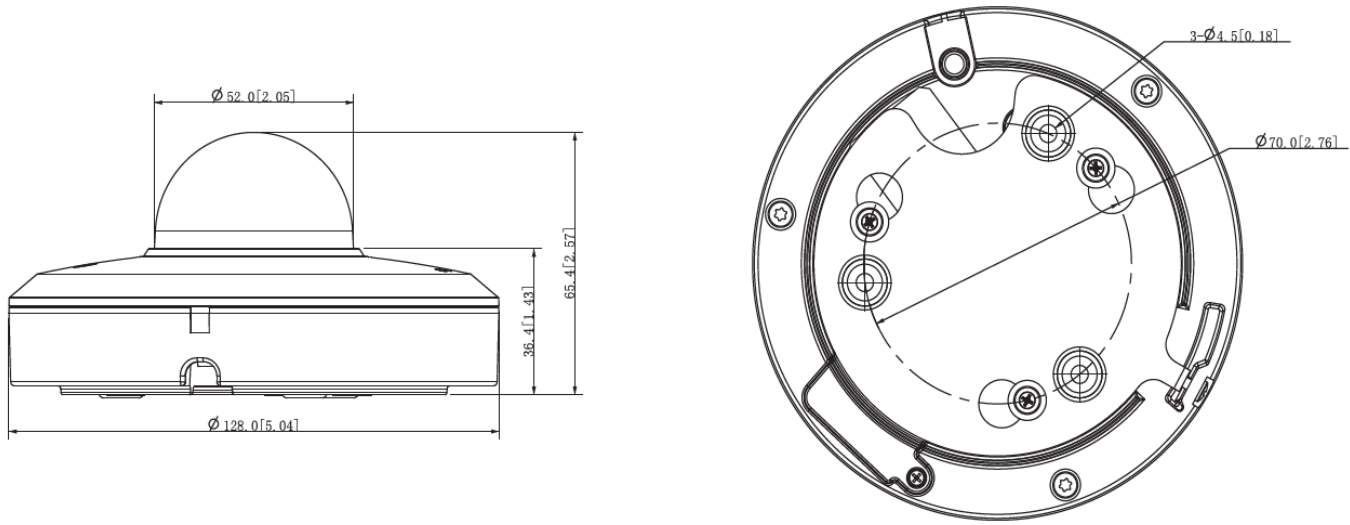
Netzwerkanschluss RJ-45 (10Base-T/100Base-TX)
Protokoll IPv4; IPv6; HTTP; HTTPS; 802.1x; Qos; FTP; SMTP; UPnP; SNMPv1/v2c/v3(MIB-2); DNS; DDNS;
NTP; RTSP; RTP; TCP; UDP; IGMP; ICMP; DHCP; PPPoE; ARP; RTCP
Kompatibilität ONVIF, CGI
Max. Benutzer Zugang 20 Benutzer
Smartphone IOS, Android
Speicherkarten Steckplatz Micro SD, Max 256GB
Alarm nicht vorhanden

ALLGEMEIN

Netzteil DC 12V/1.5A, PoE
Energieverbrauch 3W, 8.5W (IR on)
Betriebstemperatur -30°C~+60°C, weniger als 95% RH (kein Beschlagen)
Schutzart IP66 & IK08



Zeichnung



Secura Zone



Typenbezeichnung

4MP 32x Starlight IR WizSense Network PTZ Camera

Hauptgruppe

Sec-IP-Dome

Artikelnummer

DH-SD6C3432XB-

Kurzbeschreibung

- 1/2.8" 4Megapixel STARVIS™ CMOS
- 32x optical zoom
- Starlight technology
- Max. 25/30 fps@4M
- IR distance up to 150 m
- Auto-tracking
- Perimeter protection
- Face detection
- 4G
- Sound and light alarm
- Low power consumption



Detailbeschreibung

Camera

Image Sensor 1/2.8" CMOS

Pixel 4 MP

Max. Resolution 2560 (H) × 1440 (V)

ROM 4 GB / RAM 1 GB

Electronic Shutter Speed 1/1 s–1/30,000 s

Lens

Focal Length 4.8 mm–154 mm /Max. Aperture F1.6–F4.0

Field of View H: 55.8°–2.3°; V: 31.9°–1.3°; D: 63.7°–2.7°

Optical Zoom 32x

DORI Distance

Detect Observe Recognize Identify

3,080 m / 1,216 m/ 616 m / 308 m

Secura Zone



PTZ

Pan/Tilt Range Pan: 0° to 360° endless / Tilt: -20° to +90°, auto flip 180°
Manual Control Speed Pan: 0.1°/s-160°/s
Preset 300 /Tour 8 (up to 32 presets per tour)

IVS

Tripwire; intrusion; crossing fence detection; loitering
detection; abandoned/missing object; fast moving; parking
detection; people gathering; linkage tracking

Intelligence

Smart Capture Support human, motor vehicle and non-motor vehicle
image capture

IVS (Perimeter Protection)

Tripwire and intrusion. Support alarm triggering by target
types (human and vehicle). Support filtering false alarms
caused by animals, rustling leaves, bright lights, etc.
Face Detection Yes /SMD Plus Yes / Auto Tracking Yes
Active Deterrence / Light Warning /White light warning
Flash duration: 5 s-30 s /Flash frequency: High, medium, low /
Sound Warning: Volum: High, middle, low / Alarm duration: 5 s-30 s

Video

Video Compression Smart H.265+; H.265; Smart H.264+; H.264B; H.264M;
H.264H; MJPEG (Sub Stream 1)
Streaming Capability 3 streams
Resolution
4M (2560 × 1440); 3M (2048 × 1536); 1080p (1920 ×
1080); 1.3M (1280 × 960); 720p (1280 × 720); D1 (704 ×
576); CIF (352 × 288)

Video Frame Rate

Main stream: 4M/3M/1080p/1.3M/720p (1-25/30 fps)
Sub stream 1: D1/CIF (1-25/30 fps)
Sub stream 2: 1080p/1.3M/720p (1-25/30 fps)
Digital Zoom 16×
Privacy Masking Up to 24 areas can be set, with up to 8 areas in the same
view

Audio

Audio Compression G.711a; G.711Mu; G.726; AAC; MPEG2-Layer2; G722.1;
G729; G723

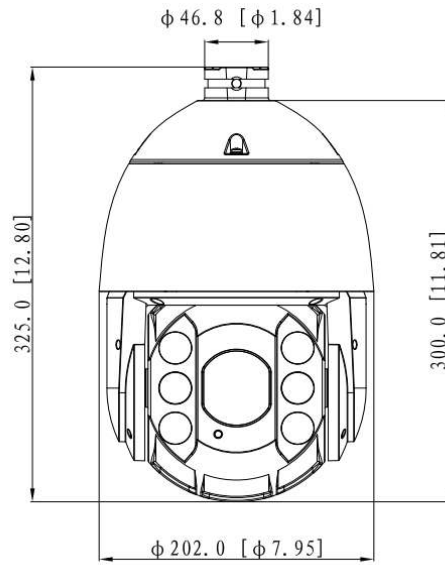
Network

Network Port RJ-45 (10/100 Base-T)
4G-Wireless Frequency
Range
LTE-FDD: B1/3/5/7/8/20 - LTE-TDD: Band 38/40 -
WCDMA: Band 1/5/8 -GSM: 850/900/1800 MHZ

Secura Zone



Zeichnung



www.Secura.Zone ist ein Projekt der Sicherheitssysteme Uebachs GmbH

Secura Zone



Typenbezeichnung

4 MP
Thermal Network Hybrid Speed Dome Camera

Hauptgruppe

Sec-IP-Dome

Artikelnummer

DHI-TPC-SD2241-T

Kurzbeschreibung

- Vanadium oxide uncooled focal plane detector.
- 4Megapixel progressive scan CMOS.
- Offers various AI functions such as intrusion, target filtering, heat detection, smoking detection, and calling detection.
- Temperature measurement range of – 20 °C to +550 °C (-4 °F to +1022 °F).
- Built-in white light and speaker that produce light and sound alarms to deter intruders.
- IBuilt-in IR LED, and the max. illumination distance is 35 m.
- Wide monitoring range: Pan: 0° to 360° endless tilt: –15° to +90°.
- Dual image fusion (visible and thermal images).
- 12 VDC ± 20%/PoE+ power supply.
- IP66 rated.



Detailbeschreibung

Camera

Detector Type Vanadium oxide uncooled focal plane detector

Effective Pixels 256 (H) × 192 (V)

Pixel Pitch 12 µm

Spectral Range 8 µm–14 µm

Sensitivity (NETD) ≤50 mK@f/1.0

Focal Length 3.5 mm; 7 mm; 10 mm

Field of View

7 mm: H: 24°; V: 18° Thermal Focus Control Fixed-focal

Detection Distance: 7 mm: Vehicle: 778 m (2,552.49 ft) /Human: 292 m (958.01 ft)

Recognition Distance: 7 mm: Vehicle: 194 m (636.48 ft) /Human: 75 m (246.06 ft)

Identification Distance: 7 mm: Vehicle: 97 m (318.24 ft) /Human: 38 m (124.67 ft)

Visible

Secura Zone



Image Sensor 1/2.7" CMOS/Max. Resolution 2336 (H) × 1752 (V)

Pixel 4 MP

Horizontal Definition ≥1600 TVL

Min. Illumination / Color: 0.05 lux / B/W: 0.005 lux / 0 lux (IR on)

Visible AGC Auto/Manual / Visible Noise Reduction 2D NR/3D NR

S/N Ratio ≥55 dB

White Balance Auto; indoor; outdoor; tracking; manual; natural; street lamp

Focal Length 8 mm / Field of View: 8 mm: H: 33.4°; V: 25°

Close Focus Distance: 8 mm: 2.5 m (8.20 ft)

Aperture: 8 mm: F2.0

Illuminator On/Off Control Auto/Manual Illumination Distance:

8 mm: ≥50 m (164.04 ft)

PTZ

Pan/Tilt Range Pan: 0° to 360° endless

Tilt: -15° to +90°

Manual Control Speed Pan: 0.1°/s -200°/s

Tilt: 0.1°/s -120°/s

Preset Speed Pan: 240°/s

Tilt: 200°/s

Preset 300

Tour 8 (up to 32 presets per tour)

Pattern 5

Scan 5

Power-off Memory: Yes

Privacy Masking: 4 areas in the same view

Idle Motion Activate: Preset/Scan/Tour/Pattern/Pan

Intelligence

Heat Detection: Yes

Cold/Hot Spot Trace: Yes

IVS (Perimeter Protection): Yes. Supports tripwire and intrusion.

Target Distinction: Human/Vehicle Classification

Smoking Detection: Yes

Call Detection: Yes

Network

Analog Output: 1-ch CVBS output, BNC port

Network Port: 1 × RJ-45 (10/100 Base-T)

Alarm Input: 2 / Alarm Output: 1

Audio Input: 1 / Audio Output: 1

RS-485 1

Power

Power: Supply 12 VDC, 2 A ± 20%, PoE+ (802.3at)

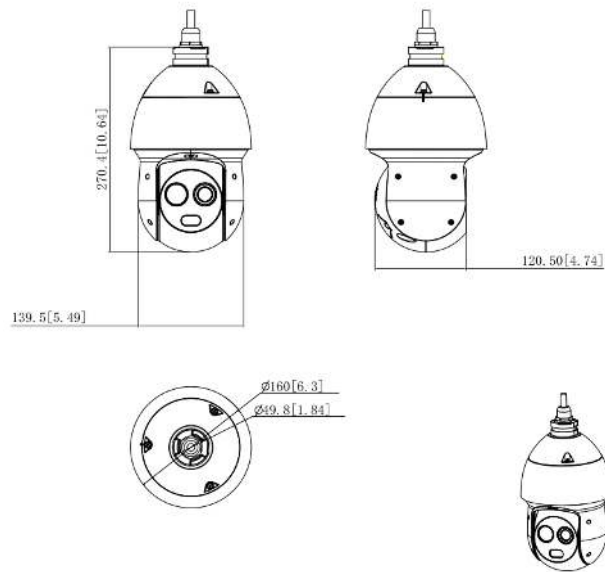
Power: Consumption Basic: <12 W (12 VDC)

Max: <24 W (12 VDC, adapter excluded)

ePoE: Yes



Zeichnung



Secura Zone



Typenbezeichnung

**2MP IR Fixed focal Bullet WizSense
4G Network Camera**

Hauptgruppe

Sec-IP-Dome

Artikelnummer

IPC-HFW3241DF-AS

Kurzbeschreibung

- 2MP 1/2.8" CMOS image sensor, low luminance, and high definition image.
- Outputs max. 2MP (1920 × 1080)@25/30 fps.
- Built-in IR LED, and the max. illumination distance is 50 m.
- Rotation mode, WDR, 3D NR, HLC, BLC, digital watermarking, applicable to various monitoring scenes.
- Intelligent detection: Intrusion, tripwire (support the classification and accurate detection of vehicle and human).
- Abnormality detection: Motion detection, privacy masking, no SD card, SD card full, SD card error, network disconnection, IP conflict, and illegal access
- Support low power push alarm function; support the intergration of solar energy.
- Support the camera to get the power information through 485 link, and OSD overlay display.
- Alarm: 2 in,2 out; audio: 1 in, 1 out; 1 RS-485; supports max. 256 G Micro SD card.
- 12 VDC power supply.
- IP67 protection.
- SMD 3.0.
- Vanadium oxide uncooled focal plane detector.



Detailbeschreibung

Camera

Image Sensor: 1/2.8" CMOS

Effective Pixels: 1920 (H) × 1080 (V)

ROM: 128 MB / RAM: 512 MB

Scanning System: Progressive Electronic Shutter Speed

Auto/Manual 1/3 s–1/100,000 s

Min. Illumination: 0.002 Lux@F1.6(Color,30IRE) / 0.0002 Lux@F1.6(B/W,30IRE)

0 lux (Illuminator on) / Illumination Distance 50 m (273 ft) 2 x(IR)

Pan/Tilt/Rotation Range: Pan: 0°–360°

DORI

Lens: 6 mm

Secura Zone



**Detect: 88.3 m (289.6 ft) / Observe: 5.3 m (115.8 ft)
Recognise: 17.7 m (58 ft) / Identify: 8.8 m (28.8 ft)**

Professional, Intelligent

Intelligent Search

Work together with Smart NVR to perform refine intelligent search, event extraction and merging to event videos

SMD 3.0 Less false alarm, longer detection distance

IVS (Perimeter Protection)

Intrusion, tripwire (the two functions support the classification and accurate detection of vehicle and human)

Smart Search

Work together with Smart NVR to perform refine intelligent search, event extraction and merging to event videos

Network

Analog Output: 1-ch CVBS output, BNC port

Network Port: 1 × RJ-45 (10/100 Base-T)

Alarm Input: 2 / Alarm Output: 1

Audio Input: 1 / Audio Output: 1

RS-485 1

Environment

Operating Temperature -30 °C to +60 °C (-22 °F to +140 °F)

Operating Humidity ≤ 95%

Storage Temperature -30 °C to +70 °C (-22 °F to +163 °F)

Protection IP67

Power

Power: Supply 12 VDC, 2 A ± 20%,

Min: <3,3 W 12 VDC IR off)

Max: <5,9 W 12 VDC IR on)



Zeichnung

